



SANITATION • HYDRAULIC • AND PROCESSING EQUIPMENT

PLEASANTON

SACRAMENTO

STOCKTON

3825 Hopyard Road #195
Pleasanton, CA 94588
Phone (925) 485-9720

2356 Gold Meadow Way #270
Gold River, CA 95670
Phone (916) 309-4132

119 Val Dervin Parkway # 2
Stockton, CA 95206
Phone (209) 234-5909

QUOTATION

TO:	City of Coalinga	DATE:	03-18-2026
		QUOTE #:	138908
		DESC:	
		JOB:	City of Coalinga (CP 3152 Replacements - NP3171)
		LOCATION:	
ATTN:	Eric DeLeon	PHONE:	
		EMAIL:	
WE ARE PLEASED TO QUOTE ON THE FOLLOWING EQUIPMENT SUBJECT TO CONDITIONS PRINTED ON LAST PAGE HEREOF, THESE CONDITIONS MAY BE CHANGED ONLY BY A WRITTEN STATEMENT SIGNED BY AN OFFICER OF SHAPE, INCORPORATED.		<input checked="" type="checkbox"/> F.O.B. FACTORY <input type="checkbox"/> F.F.A. TO FIRST DESTINATION	

Line #	Qty	Item	Price
01	2	Flygt NP3171 HT3 ~455 (25hp/460v/3ph) 4" Discharge, FM Explosion Proof, FLS, 65' Power Cable	
02	2	Spacer Block Kit (4" to 6")	
03	1	Freight	
Total for Above Equipment:			\$85,532.00
(Tax Rate 8.975%) Total Tax:			\$7,676.50
Grand Total:			\$93,208.50

Notes:

1. QUOTE IS VALID FOR 45 DAYS, See attached TOCs for details
2. Price DOES NOT INCLUDE ANY APPLICABLE TAXES
3. Price INCLUDES Freight: F.F.A.
4. Price does not include: installation, equipment unloading, pipe, conduit, anchor bolts, guide bars/rails or any other items not listed.
5. ESTIMATED EQUIPMENT LEAD TIME: A) Pumps 12-14 WEEKS B) ACCESSORIES 10-12 WEEKS

SHAPE, INC.
Sean Smith - ssmith@shapecal.com

QUOTATION DOES NOT INCLUDE ANY SALES OR USE TAX PAYABLE UNDER ANY STATE OR FEDERAL STATURE. THIS QUOTATION PRICE IS FOR MATERIAL LISTED ABOVE. ANY ADDITIONS OR MODIFICATIONS THAT BECOME NECESSARY FOR APPROVED SUBMITTALS, UPON AWARDDING OF THIS CONTRACT, MAY RESULT IN NECESSARY PRICE CHANGES.

NOTE: ITEMS NOT SPECIFIED ON THIS QUOTATION ARE NOT INCLUDED IN OUR PRICE AND ARE TO BE SUPPLIED BY OTHERS. PRICES ARE FOR IMMEDIATE ACCEPTANCE AND SUBJECT TO CHANGE WITHOUT NOTICE. SALE SUBJECT TO MANUFACTURERS STANDARD TERMS AND CONDITIONS. 30% RE-STOCKING FEE.

SHAPE STANDARD TERMS AND CONDITIONS

ACCEPTANCE

The following Terms and Conditions are an integral part of the offer to sell the equipment and/or services offered in this proposal. When the BUYER signifies acceptance of this quotation by submission of a Purchase Order or signed SELLER Quotation, it shall become a binding contract when accepted and signed by an authorized signer of the SELLER. Any changes or amendments to this proposal made by the BUYER must have SELLER's approval in writing to become a part of this contract. These Terms and Conditions and the accompanying Purchase Order or signed SELLER Quotation shall comprise the entire agreement between the parties and no course of prior dealings between the parties and no usage of the trade shall be relevant to supplement or explain any terms used in this contract. Unless stated otherwise, the terms and conditions of the manufacturers listed herein will apply to this quotation. Any attachments or listed documents are considered a part of this quotation and are made part of the agreement. **Quote is firm for thirty (30) days unless otherwise stated on the face of the attached quotation.**

APPROVAL DRAWINGS

All items listed are based on SELLER'S interpretation of the requirements in accordance with the plans and specifications. Any preliminary drawings or literature attached to our quotation are for illustration purposes only to show approximate arrangements. Specific drawings and submittal data will be furnished for approval as required after receipt and acceptance of the BUYER'S order. Any submittal or manuals when provided by SELLER will be in the form of a PDF electronic file only. Any form of media beyond the electronic file would be the responsibility of BUYER. Fabrication of products or equipment ordered will not begin until approval and direction to proceed is received in writing. No warranty is made regarding quantities, materials of construction or type of materials quoted. Operation, installation, and maintenance of materials quoted are the responsibility of the OWNER or CONTRACTOR.

DELIVERY

Any shipment or delivery date recited represents our best estimate, but no liability, direct or indirect, is assumed by SELLER for failure to ship or deliver on such dates. Unless otherwise directed, SELLER shall have the right to make early or partial shipments and invoices covering the same to BUYER shall be due and payable in accordance with payment terms hereof. FOB shall be origin unless stated otherwise on the front of these Terms and Conditions. Delivery schedule(s) will be contingent on supply-chain availability and variability for material components, therefore, lead-times are subject to change without notice. Published weights are careful estimates but are not guaranteed. SELLER will endeavor, insofar, as it is possible, to comply with shipping instructions specified by the Purchaser. However, SELLER reserves the right to ship merchandise by such means of transportation as it may select. The manufacturer will ship the equipment via best way. Demurrage shall be billed to the account of the Purchaser. **DAMAGE CLAIMS:** Care is taken in packaging all shipments. After BUYER has been given the receipt by the transportation company, all claims for breakage or shortages, whether concealed or obvious, must be made in writing by the BUYER to the carrier and SELLER within seven (7) days after receipt of shipment. When damage or shortages are obvious, written comments on the bill of lading are required before the driver is released. **RETURNED PRODUCTS:** In no instance is equipment to be returned without first obtaining SELLER'S written approval and returned materials authorization. If shipment is postponed at the request of the purchaser after manufacturing has been commenced, payment will be due on notice from us that the equipment is ready for shipment. Pro rata payments shall be made for partial shipments.

STORAGE

Any item of the product on which shipment is delayed by BUYER may be placed in storage by SELLER at BUYER'S expense and risk. If a delay in shipment is requested by BUYER after an order has been entered and accepted:

- a. No charge will be made if the request for delay is made more than six (6) weeks before acknowledged shipping date and the requested delay is for a period not in excess of thirty (30) days.
- b. A charge will be made if the requested delay exceeds a period of thirty (30) days or if the request is made within six (6) weeks of the acknowledged shipping date. SELLER will advise BUYER of the charge within ten (10) days of receiving BUYER'S request for delay.
- c. If the product is within six (6) weeks of the acknowledged shipping date, then SELLER has the option of completing, invoicing and storing the product and charging one and one-half percent (1.5%) per month, or the maximum percentage permitted by law, whichever is lesser, of the established price for such product, plus storage cost.

PAYMENT

Payment terms, upon credit approval, are of net thirty (30) days from the date of each invoice for material shipped (or when ready for shipment if shipment is deferred by BUYER) **unless stated otherwise on the face of the attached quotation.** Flow down provisions are not accepted and shall not be enforceable against SELLER. Retention is not allowed. In the event any payment becomes past due, a charge of one-half percent (1.5%) will be assessed monthly. These terms are completely independent from, and not contingent upon, when BUYER receives payment from the OWNER. A processing fee of up to four percent (4%) will be added for credit card payments. All merchandise sold is subject to lien laws. Partial or final payment shall constitute acceptance of delivered materials, products, or equipment.

FORCE MAJEURE

Neither Party will be liable for any failure or delay in performing an obligation under these Terms and Conditions that is due to any of the following causes, to the extent beyond its reasonable control: acts of God, accident, riots, war, terrorist act, epidemic, pandemic, quarantine, civil commotion, breakdown of communication facilities, breakdown of web host, breakdown of internet service provider, natural catastrophes, governmental acts or omissions, changes in laws or regulations, national strikes, fire, explosion, generalized lack of availability of raw materials or energy. For the avoidance of doubt, Force Majeure shall not include (a) financial distress nor the inability of either party to make a profit or avoid a financial loss, (b) changes in market prices or conditions, or (c) a party's financial inability to perform its obligations hereunder.

TAXES AND BONDS

Taxes and bonds are **NOT** included in our pricing. Any applicable taxes or bonds will be added to the price and shown separately on each invoice. All prices exclude sales, use, duties, excise, and other taxes in respect to manufacture, sale, or delivery, all of which are to be paid by the buyer unless a proper exemption certificate is furnished. BUYER agrees to reimburse our company for taxes SELLER must pay on BUYER'S behalf.

PRICE ESCALATION and/or MATERIAL DEPOSITS

If between the proposal date and actual procurement and through no fault of the SELLER, the relevant cost of labor, material, freight, brokerage fees, tariffs, and other SELLER costs combined relating to the contract increase, then the contract price shall be subject to escalation and increased accordingly. If required by the BUYER, increase shall be verified by documentation and the amount of contract price escalation shall be calculated as either the actual increased cost to the Seller or, if agreed by the Parties, the equivalent increase of a relevant industry recognized third-party index. SELLER shall undertake good faith efforts to obtain savings in its procurement of materials to avoid escalation costs. BUYER shall cooperate with SELLER in such efforts to obtain such cost savings. SELLER shall contemporaneously track any escalation costs.

CLAIMS AND BACKCHARGES

BUYER agrees to examine all materials immediately upon delivery and report to SELLER in writing any defects or shortages noted no later than ten (10) days following the date of receipt. The parties agree that if no such claim is made within said time, it shall be considered acceptable and in good order with respect to any defect or shortage which would have been revealed by such an inspection. In no event will SELLER be responsible for any charge for modification, servicing, adjustment or for any other expense without written authorization from SELLER prior to the performance of any such work. **IN NO EVENT SHALL SELLER BE LIABLE TO BUYER OR**

SHAPE STANDARD TERMS AND CONDITIONS**2**

ANY THIRD PARTY FOR ANY LOSS OF USE, REVENUE OR PROFIT, OR FOR CONSEQUENTIAL, INDIRECT, INCIDENTAL, SPECIAL, EXEMPLARY, OR PUNITIVE DAMAGES, FOR ANY REASON, INCLUDING WITHOUT LIMITATION, DAMAGES ARISING OUT OF A DELAY IN OR FAILURE OF DELIVERY, DEFECTS IN MATERIAL AND WORKMANSHIP AND/OR FAILURE OF GOODS TO PERFORM TO APPLICABLE SPECIFICATIONS, DRAWINGS, BLUEPRINTS OR SAMPLES AS SET FORTH OR DESCRIBED HEREIN, IF ANY, OF A BREACH BY SELLER OF ANY OTHER TERM OR OBLIGATION OF SELLER UNDER THE CONTRACT. No penalty clauses of any description will be effective unless approved in writing over the signature of a principal of SELLER. Under no circumstances shall SELLER be liable for any consequential, special or incidental damages, including liquidated damages, arising from any breach by it in this transaction, AND ALL SUCH CONSEQUENTIAL, SPECIAL AND INCIDENTAL DAMAGES, INCLUDING LIQUIDATED DAMAGES, ARE EXCLUDED FROM ANY REMEDIES AVAILABLE TO THE BUYER.

SECURITY INTEREST & TITLE

Until all amounts due SELLER have been paid in full, SELLER shall retain a security interest in the product and have all rights of a secured party under the Uniform Commercial Code and applicable law, including the right to repossess the product or equipment without legal process and the right to require the BUYER to assemble the equipment and make it available to SELLER at a place reasonably convenient to both parties.

WARRANTY

Equipment and parts not manufactured by the SELLER carry only the warranty of the manufacturer of said parts. SELLER does not make any express or implied warranty for equipment and/or parts it did not manufacture. Credits for defective material and workmanship in said equipment and/or parts are only in accordance with the underlying company policy of the manufacturer. SELLER makes no warranty whatsoever with respect to any equipment and/or parts as to their merchantability or fitness for a particular purpose. It is further agreed that the SELLER assumes no liability whatsoever for failure of equipment due to normal usage and wear.

INDEMNIFICATION

To the fullest extent permitted by the law in which the project is located, BUYER and SELLER shall indemnify and hold one another and their respective employees and agents harmless from and against all claims, damages, losses, liabilities, actions, causes of action, demands, fines, penalties, judgments, costs, and expenses, including but not limited to attorneys' fees, court costs, expert fees and costs, arising out of or resulting from BUYER's or SELLER's own negligent acts, omissions or misconduct, to the extent such negligence is covered by BUYER's and SELLER's respective insurance policies. In the event any third party asserts against SELLER a claim for patent infringement, royalties or licensing fees with respect to BUYER's use of the products, materials, or equipment provided hereunder, BUYER agrees to indemnify SELLER for all liability damages, costs and expenses in connection therewith.

CANCELLATION

Buyer may cancel this contract only in writing signed by BUYER's duly authorized agent and acknowledged in writing by SELLER's duly authorized agent. Should this order be cancelled, BUYER shall be obligated to pay for the level of work performed and products shipped. Work performed includes any engineering, calculations, preparation of submittals, drawings, and/or travel to job site in relation to this order. In addition to any other remedies provided under these Terms and Conditions, SELLER may terminate this contract with immediate effect by providing signed, written notice to BUYER, if BUYER: (i) fails to pay any amount when due under the contract and such failure continues for 30 days after BUYER's receipt of written notice of nonpayment; (ii) has not otherwise performed or complied with any of these Terms and Conditions; or (iii) becomes insolvent, files a petition for bankruptcy or commences or has commenced against it proceedings in bankruptcy, receivership, reorganization or assignment for the benefit of creditors.

FIELD WORK

Unless specifically stated on our quotation, installation, start-up service, field testing, supervision, operation, and training are not included in our pricing of product. In the event that SELLER or any of its employees or agents do perform work or services on-site at the project's location, BUYER agrees to hold SELLER and its employees or agents harmless for any injuries or damage to property caused by their acts or omission, except to the extent said injuries or property damage arise from gross negligence or intentional misconduct.

MODIFICATIONS

This contract can be modified only in writing which specifically states that it amends these Terms and Conditions and is signed by both parties and their duly authorized agents. It is further agreed that this contract shall not be modified in any respect except in writing signed by the party and their duly authorized agent against whom the modification is sought to be enforced.

AUTHORITY OF SELLER'S AGENTS

No agent, employee or representative of the SELLER has any authority to bind the SELLER to any affirmation, representation or warranty concerning the goods sold under this Contract, and unless an affirmation, representation or warranty made by an agent, employee, or representative is specifically included within this written contract, it shall not be enforceable by the BUYER.

NO THIRD-PARTY BENEFICIARIES

This contract is for the sole benefit of BUYER and SELLER and their respective successors and permitted assigns and nothing herein, express or implied, is intended to or shall confer upon any other person or entity any legal or equitable right, benefit, or remedy of any nature whatsoever under or by reason of these Terms and Conditions.

GOVERNING LAW

All matters arising of or relating to the contract or the Terms and Conditions shall be governed by and construed in accordance with the laws of the state in which the project is located.

DISPUTE RESOLUTION

In the event of any dispute between BUYER and SELLER arising out of the terms of the contract and these Terms and Conditions, such dispute shall be decided by arbitration administered by the American Arbitration Association in accordance with the then-prevailing Commercial Arbitration Rules and Mediation Procedures of the American Arbitration Association. BUYER and SELLER mutually agree that any dispute involving claims valued at or above \$1,000,000.00 shall be heard by a panel of three (3) arbitrators. The venue for all arbitration proceedings shall be the State of California. The foregoing agreement to arbitrate shall be specifically enforceable in any court of competent jurisdiction. The award rendered by the arbitrators shall be final and judgment may be entered upon it in accordance with applicable law in any court of competent jurisdiction.

SEVERABILITY

The partial or complete invalidity of any one or more provisions of these Terms and Conditions shall not affect the validity or continuing force and effect of any other provision. If any provision is invalid, in whole or in part, the provision shall be considered reformed to reflect the intent thereof to the greatest extent possible consistent with applicable law.

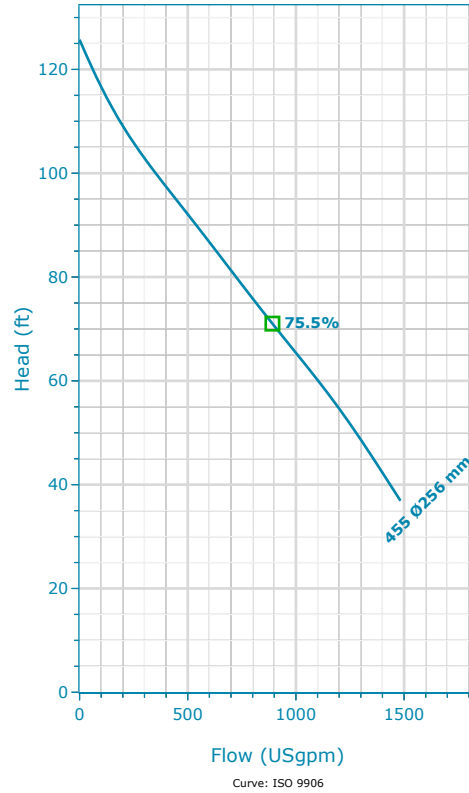
ASSIGNMENT – DELEGATION

No right or interest in this Contract shall be assigned by the BUYER without the written permission of the SELLER, and no delegation of any obligation owed, or of the performance of any obligation by the BUYER shall be made without the written permission of the SELLER. Any attempted assignment or delegation shall be wholly void and totally ineffective for all purposes unless made in conformity with this paragraph.

NP 3171 HT 3~ 455 | Configuration Summary



Flygt's self-cleaning non-clog N-pumps feature innovative designs and functions that deliver high sustained efficiency and the most reliable operation. This makes them the most reliable choice available for a broad range of wastewater applications for tough applications such as unscreened sewage, wastewater and sludge up to an 8 percent solids concentration. Impeller material available in Hardened cast Iron, Hard Iron and Stainless Steel to fit any wastewater application.



Nominal (mean) data shown. Under- and over-performance from this data should be expected due to standard manufacturing tolerances. Please consult your local Flygt representative for additional performance guarantees.

GENERAL

Explosion Proof	Max. Pumped Media Temp.
Yes	104 °F
Approval	Impeller Diameter
FM	256 mm

MATERIAL AND COATING

Impeller Material
Hard-Iron
Volute Material
Grey Cast Iron

MOTOR

Rated Voltage	Motor Efficiency Class
460 V	Standard
Coupling	Rated Power
D	25 Hp

INSTALLATION

Installation Type
P - Semi-Permanent, Wet

NP 3171 HT 3~ 455 | Product Details

Description

N 3171

The Flygt N-series are equipped with the Flygt invented N-technology with its innovative self-cleaning impeller. Solid objects entering the pump will pass through the impeller between the impeller vanes. If an object gets caught on the leading edge of one of the vanes, it will slide along the backswept shape towards the perimeter of the inlet where it will be guided by a relief groove through the pump housing. This ensures a high sustained total efficiency over time. Due to the mechanical self-cleaning design, a sludge concentration of solids up to 8% can easily be pumped. The pump can easily be installed in either permanently or temporary submerged, or horizontally or vertically dry installations.

Flexible and Modular Design

The modular hydraulic design enables customization of the hydraulics to meet the requirements of many applications.

- Replaceable wear ring in two materials, gray iron or Hard Iron, for different operation conditions
- Hardened gray iron impeller for typical wastewater applications
- Hard-Iron impeller for heavy duty wastewater applications containing abrasive and corrosive content
- Chopper ring intended for tough wastewater applications where cutting is required due to long fibres and solid concentrations up to 10-12%
- Stainless steel impeller for special applications that require duplex stainless steel

Robust and Reliable

- Short shaft overhang reduces shaft deflection and increases seal and bearing life
- Class H Motor designed for submersible use. Heat is concentrated to the stator core for improved cooling properties.
- The Plug-in seal with Active Seal system eliminates the risk associated with incorrect installation and careless handling. All in one unit. Available in Tungsten carbide (WCCR) or Silicone carbide (SiC) depending on pumped media.
- Motor cable SUBCAB® specially developed for submersible use
- Offers flexible cooling systems, e.g. closed-loop cooling system, media cooled or external cooling that allows full motor potential in dry installations.
- Premium brand bearings, greased for life, ensures a minimum of 50 000 hours of duty
- Leakage sensor and motor temperature sensor as standard

The N 3171 is available with the following options:

- ATEX, FM, CSA-approvals
- Premium efficiency motors
- Hard Iron hydraulic design
- Stainless Steel hydraulic design
- Vibration-sensor, extended motor temperature sensors, additional leakage-sensor, current-sensor and pump memory
- Compatible with SmartRun® Wastewater pump controller
- Compatible with MAS 801 monitoring system

Product Features

- State-of-the-art wastewater pump with N-technology
- Sustained high efficiency pumping with energy savings up to 25%
- Flexible and modular design
- Robust and reliable

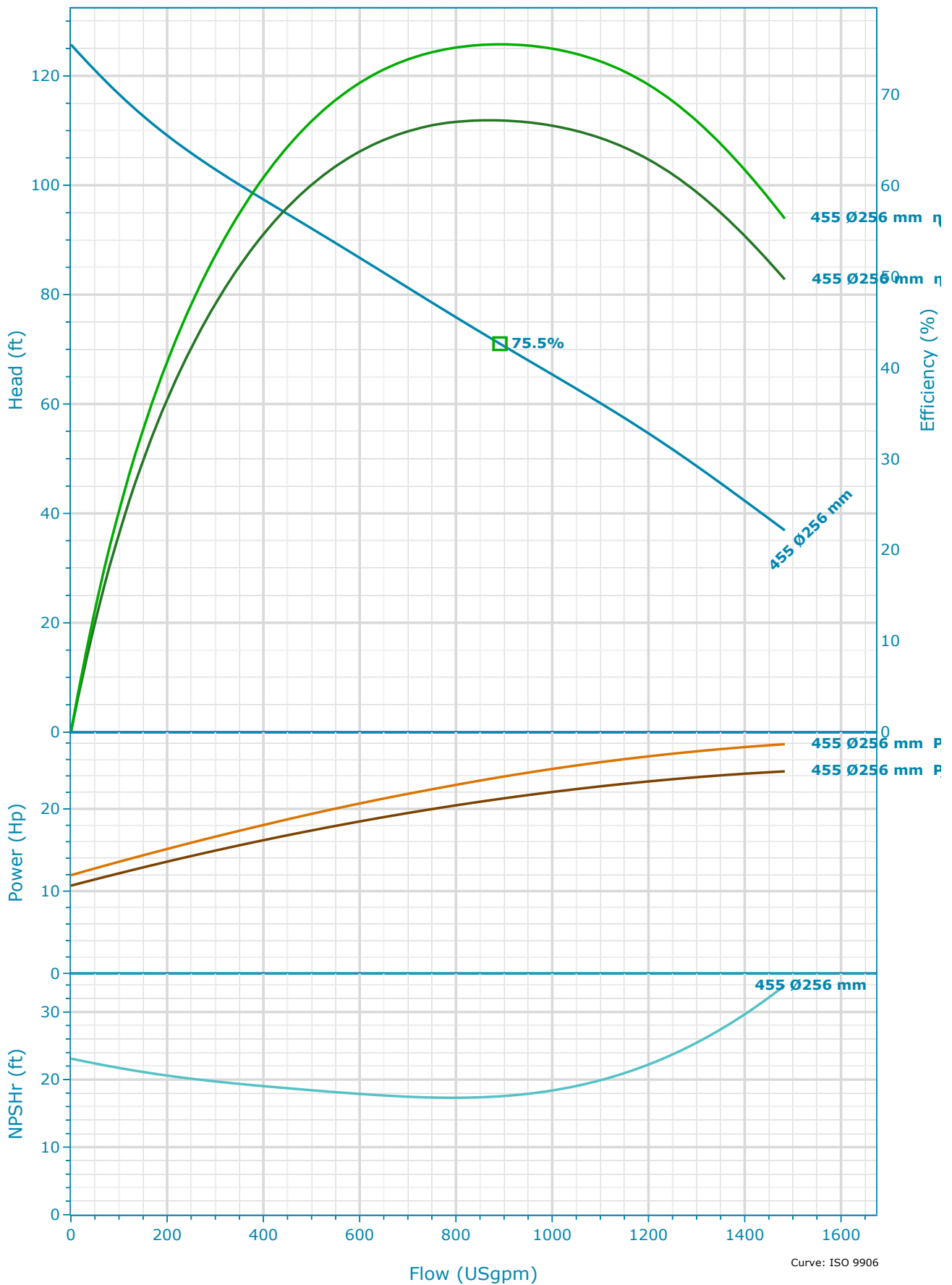
Construction Materials

Impeller Material	Volute Material	Stator Cover Material
Hard-Iron	Grey Cast Iron	-

Motor

Rated Power	Number Of Phases	Start Current Ratio	Motor Issue
25 Hp	3	6.13	12
Motor Denomination	Rated Motor Speed	Insulation Class	Locked Rotor Code
25-14-4AA	1,755 RPM	H	G
Motor Efficiency Class	Rated Voltage	Approval	Max starts per hour
Standard	460 V	FM	30
Version Code	Rated Current	Total moment of inertia	Power Factor 100%
095	30 A	3.3 ft ² lbf	0.89
Frequency	Start Current	Type of duty	Power Factor 75%
60 Hz	183 A	S1	0.86
Max P2 (1x)	Starting Current, Direct Starting	Stator Variant	Power Factor 50%
24.55 Hp	183 A	1	0.78
Number Of Poles	Starting Current, Star Delta	Motor Module	Efficiency 100%
4	61 A	130	88 %
			Efficiency 75%
			89.5 %
			Efficiency 50%
			89.7 %

NP 3171 HT 3~ 455 | Hydraulic Data & Performance Curve



Curve: ISO 9906

Nominal (mean) data shown. Under- and over-performance from this data should be expected due to standard manufacturing tolerances. Please consult your local Flygt representative for additional performance guarantees.

Selection

Series	Number Of Vanes
N 3000	2
Name	
NP 3171 HT 3~ 455	
Frequency	
60 Hz	
System Type	
Single Pump	
Operating Pumps	
1	
Standby Pumps	
No Standby Pump	
Curve Code	
455	
Impeller Diameter	
256 mm	
Inlet Diameter	
150 mm	
Outlet Diameter	
4 in	

Fluid and Operating Conditions

Fluid Type	Density
Water	62.43 lb/ft ³
Fluid Temperature	Dynamic Viscosity
39.2 °F	1.57 cP
Specific Gravity	Fluid Vapor Pressure
1	0.12 psi
	Atmospheric Pressure
	14.7 psi
	Elevation
	0 ft
	Ambient Temperature
	68 °F
	NPSH Available
	33.68 ft
	Submergence
	0 ft

Design Curve

Rated Speed	BEP Flow
60 Hz	891.41 USgpm
Max Flow	BEP Head
1,483.25 USgpm	71.03 ft
H@QMin	Max P2
125.73 ft	24.55 Hp
H@QMax	
36.9 ft	
BEP	
75.53 %	

Proprietary Notice:
This drawing, print or document and the subject matter disclosed herein are the property of Xylem Water Solutions AB and are not to be disclosed, disseminated or used in any way without our express written permission.



Non-toleranced dimensions see A3221.6
Geometrical and positional tol. see A3222.0



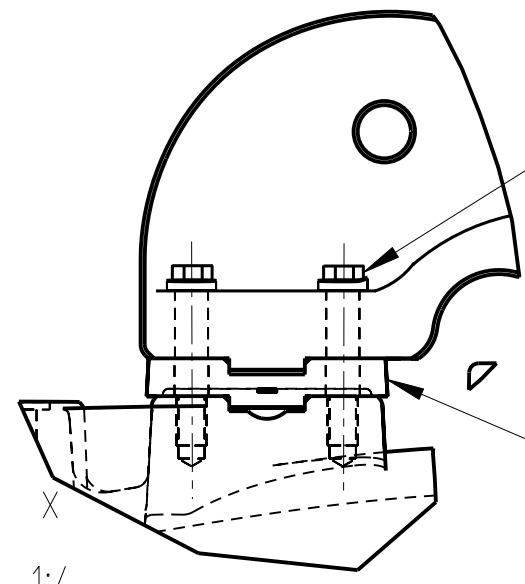
1:20

Pro/ENGINEER Drawing Format A3 Sheet 1 of 1, format rev. 3.0
All dimensions are given in millimeters (mm) unless otherwise stated.

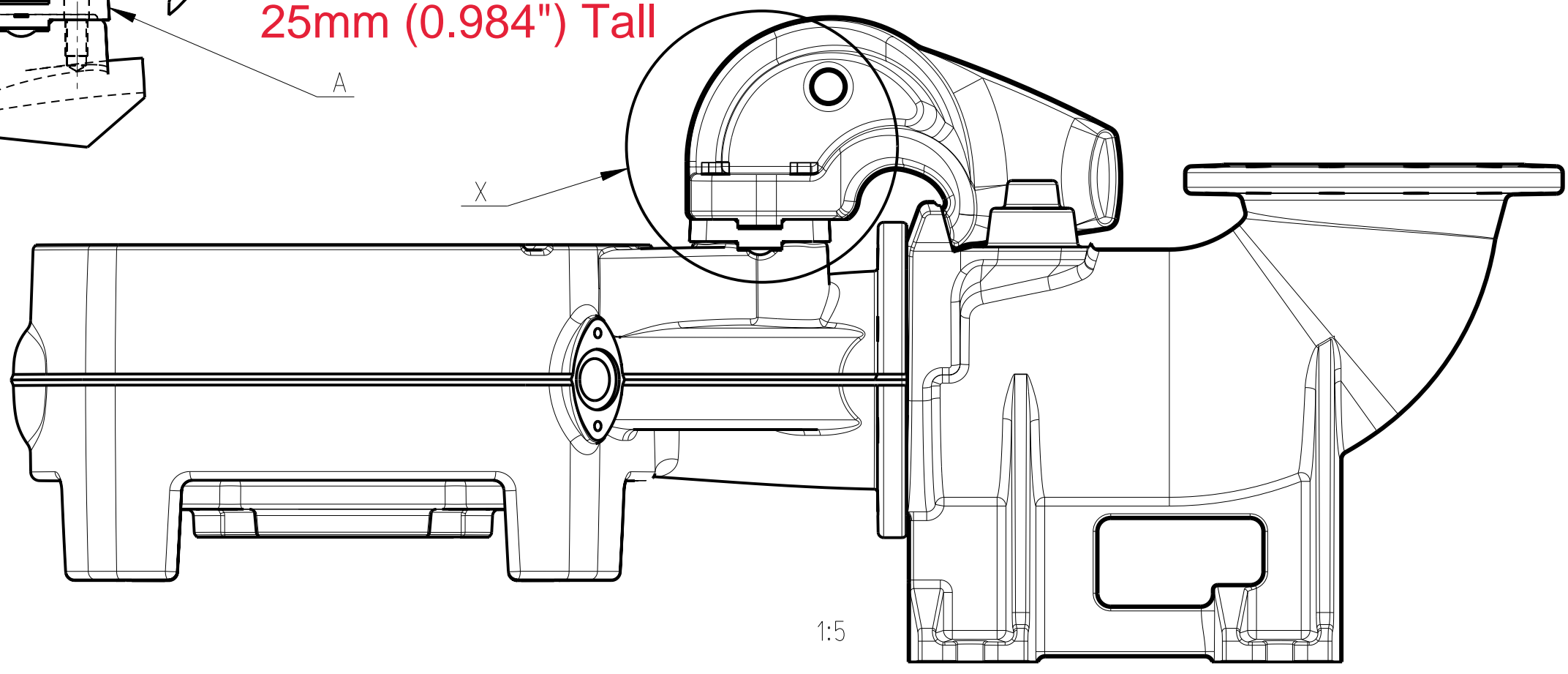
File	Filename	Version created by	Release level	Revision	Iteration
Drawing	7243200	20-Jun-14 08:58:22 AM Kelias, Nermin - Xylem	Released	2	1
ASSEM	7243200	15-May-08 03:28:30 PM svc-PDMLINK WS	Released	0	3

3	Xylem logo on drawing	140068
Rev. No:	Revision	ECN No:

Kit	A	B
722 93 00	691 11 00	83 03 78
722 93 01	691 11 02	83 02 67
722 93 02	691 11 01	83 03 97



25mm (0.984") Tall



3



Denomination		Mounting drawing	
Sheet 1 of 1	Drawing No	724 32 00	Rev 3
Released			